

POD PCS PRODUCTS ORDER CODE

PCS 660

Application

- F Fine Graine Solids
- C Coarse Graine Solids
- L Liquids
- S Special Version

Inactive Length(mm) / Material

- B 100 ... 2000 304L(Stainless Steel)
- C 100 ... 2000 316L(Stainless Steel)
- D 100 ... 2000 ST37(API 5L)
- S Special Version

Active Length(mm) / Type / Material

- A 200 ... 10000 Sword 304L(Stainless Steel)
- B 200 ... 10000 Sword 316L(Stainless Steel)
- C 200 ... 10000 Sword ST37 (API 5L)
- D 500 ... 10000 Rope(8mm) 304L(Stainless Steel)
- E 500 ... 10000 Rope(10mm) 304L(Stainless Steel)
- F 500 ... 10000 Rope(12mm) 304L(Stainless Steel)
- G 500 ... 10000 Rope(8mm) 316L(Stainless Steel)
- H 500 ... 10000 Rope(10mm) 316L(Stainless Steel)
- I 500 ... 10000 Rope(12mm) 316L(Stainless Steel)
- J 500 ... 10000 Rope(8mm) CK45+ ST37
- K 500 ... 10000 Rope(10mm) CK45+ ST37
- L 500 ... 10000 Rope(12mm) CK45+ ST37
- M 200 ... 2000 Rod 304L(Stainless Steel)
- N 200 ... 2000 Rod 316L(Stainless Steel)
- O 200 ... 2000 Rod CK45+ ST37
- S Special Version

Process Connection Type

- 2 Flange 2" 150lbs RF 316L
- 3 Flange 3" 150lbs RF 316L
- 4 Flange 4" 150lbs RF 316L
- T Thread 2" DIN29999 316L
- S Special Version

Electronic Headmount I/O

- A 24v ac/dc Relay 12to250v ac / 12to28v dc
- B
- S Special Version

Housing Type / IP

- M Aluminium IP66 EX
- N
- S Special Version

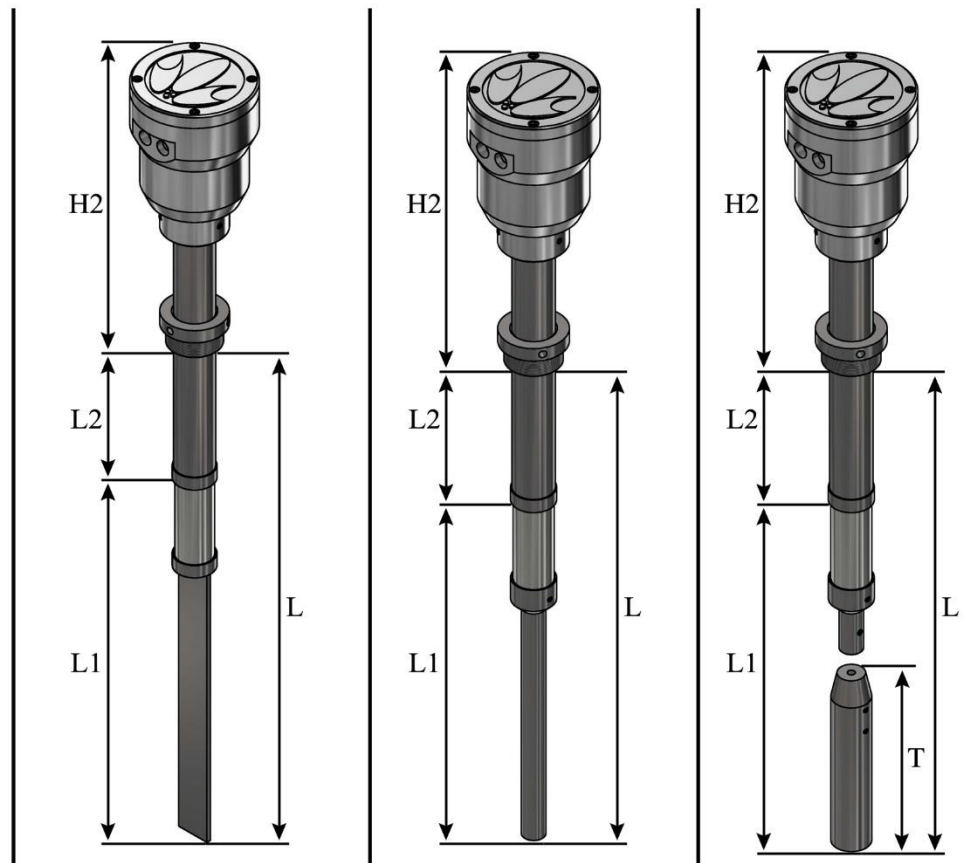
Cable Entry

- U M18 (PG11)
- S Special Version

PCS660							
--------	--	--	--	--	--	--	--

REV.03

PCS660 PRODUCTS SELECTION TABLE



Sword / Rod / Rope	Sword	Rod	Rope
H2	390 / 345 / 275	390 / 345 / 275	390 / 345 / 275
Total Length (L)	300 to 12000	300 to 4000	600 to 12000
Inactive Length (L2)	100 to 2000	100 to 2000	100 to 2000
Active Length (L1)	200 to 10000	200 to 2000	500 to 10000
Ø Inactive Length (L2)	42.5	42.5	42.5
Sword Width	30 / 40	-	-
Ø Rod	-	18 / 25	-
Ø Rope	-	-	8 / 10 / 12
Ø Tensioning weight	-	-	30 / 42
Length of Tensioning weight(T)	-	-	150 / 200 / 250

* All dimensions are in metric system (mm)

REV.03